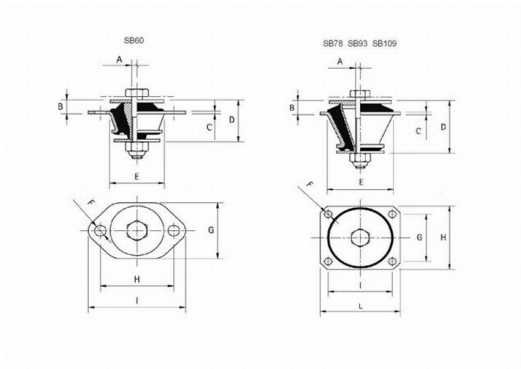


A2 Antivibration Mountings With Other Shapes - SERIES SB Conical Support



Characteristics

Main Part Material: NR/SBR Rubber Compound
Standard Hardness: 60 Shore A
Hardness Tolerance: +/- 5 SH
On request: 45 Shore A Hardness
Metallic Part Material & Finishing: Zinc Plated Steel

Code	A	B	C	D	E	F	G	H	I	Max Compression Load daN	Packing Pcs.
A2SB60	12	16,5	2,5	51	60	11	68	80	106	200	1
A2SB78	16	19,5	3,5	56	78	11	65	90	80	400	1
A2SB93	16	20	4,3	81	93	11	74	100	90	900	1
A2SB109	20	23	4,5	95	109	11	92	120	112	1600	1